



YOUR EWVP SOLUTIONS GUIDE

BOOM SHERRIN

At BOOM Sherrin we're much more than just an elevated work platform supplier.

For more than 40 years now we've been offering tailored EWP solutions from a comprehensive equipment fleet Australia-wide; backed by on-call sales and service assistance; reliable solutions and one of the safest working practices in the industry.

GRADEABILITY CONVERSION

Gradeability

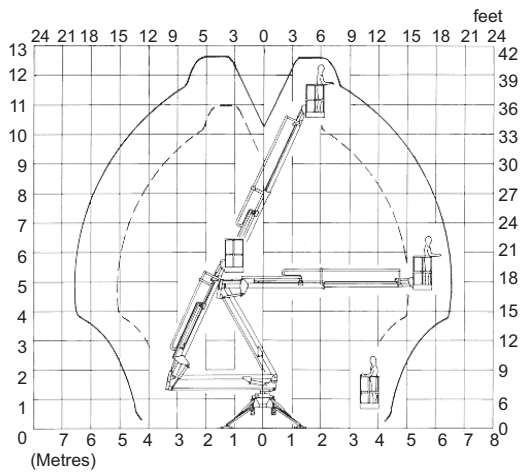
5%	10%	15%	20%	25%	30%	35%	40%	45%	50%	55%	60%
2.86	5.71	8.53	11.31	14.04	16.70	19.29	21.80	24.23	26.57	28.81	30.96

Degrees

PLEASE NOTE

Every effort has been made to accurately specify our equipment in the following pages. Due to availability of equipment actual makes & models supplied may vary from what is indicated. BOOM Sherrin specifies "Working Height" at a standard additional height of 6ft (1.8m) above the manufacturer's specified platform height.

Range Chart



12m SELF -PROPELLED

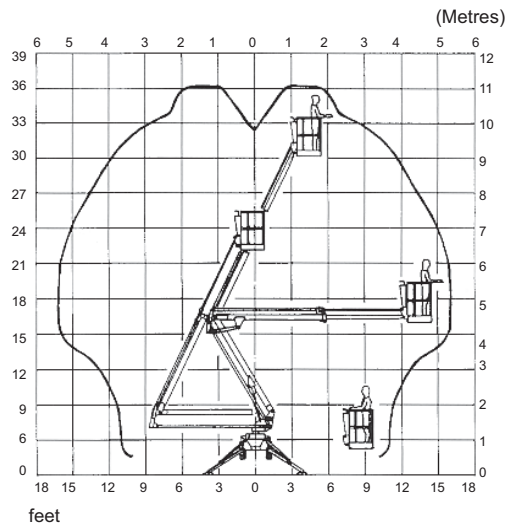
For more information on this equipment or if you require a free onsite inspection, contact our team

136 132

Specifications

Working height	12.50 m
Platform height	10.50 m
Horizontal reach	6.35 m
Safe working load	135 /200 kg
Transport length (with platform)	5.00 m
Transport length (without platform)	4.40 m
Travelling overall height	1.80 m
Overall (width normal tyres)	0.96 m
Overall (width narrow tyres)	0.87 m
Platform size	0.87 x 0.60 m
Boom slewing	357 °
Gradeability	35 %
Outrigger spread working	3 x 3.20 m
Max slope for outriggers	25 %
Overall weight (approx)	1300 kg
Hydraulic outriggers	
4WD	
Jockey wheel	

Range Chart



11m SELF -PROPELLED

For more information on this equipment or if you require a free onsite inspection, contact our team

136 132

Specifications

Working height	11 m
Platform height	9 m
Horizontal reach	5.35 m
Safe working load	135 /200 kg
Transport length with platform	4.40 m
Transport length without platform	3.85 m
Transport overall height	1.70 m
Overall width (normal tyres)	0.96 m
Overall width (narrow tyres)	0.87 m
Platform size	0.87 x 0.65 m
Boom slewing	357 °
Gradeability	35 %
Outrigger spread working	2.80 x 3 m
Max slope for outriggers	25 %
Overall weight (approx)	1100 kg
Hydraulic outriggers	
4WD	
Jockey Wheel optional	



136 132 BOOM SHERRIN
www.boomsherrin.com.au