



YOUR EWVP SOLUTIONS GUIDE

BOOM SHERRIN

At BOOM Sherrin we're much more than just an elevated work platform supplier.

For more than 40 years now we've been offering tailored EWP solutions from a comprehensive equipment fleet Australia-wide; backed by on-call sales and service assistance; reliable solutions and one of the safest working practices in the industry.

GRADEABILITY CONVERSION

Gradeability

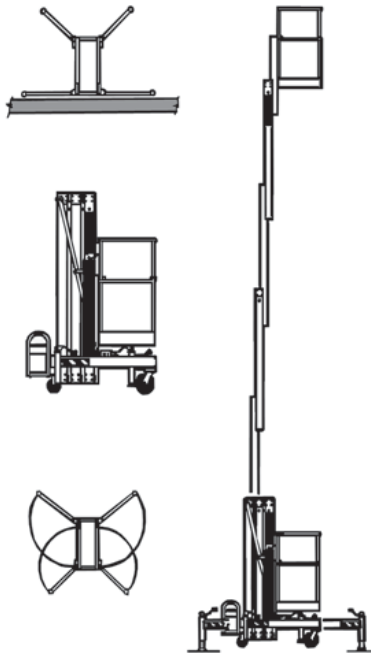
5%	10%	15%	20%	25%	30%	35%	40%	45%	50%	55%	60%
2.86	5.71	8.53	11.31	14.04	16.70	19.29	21.80	24.23	26.57	28.81	30.96

Degrees

PLEASE NOTE

Every effort has been made to accurately specify our equipment in the following pages. Due to availability of equipment actual makes & models supplied may vary from what is indicated. BOOM Sherrin specifies "Working Height" at a standard additional height of 6ft (1.8m) above the manufacturer's specified platform height.

Range Chart



31' AW 1 MAN WORK PLATFORM

For more information on this equipment or if you require a free onsite inspection, contact our team

136 132

Specifications

Working height	9.50 m
Platform height	7.60 m
Platform safe working load	136.20 kg
Platform size	0.61 x 0.61 m
Platform construction	Steel
Lowered height	1.96 m
Overall width	0.75 m
Overall length	1.14 m
Lift speed	30 sec
Lower speed	35 sec
Stabilisation	Four built-in outriggers with crackdown screw jacks
Outrigger circle	3.10 m
Overall weight (approx)	273.80 kg

Range Chart



20' AWE 1 MAN WORK PLATFORM

For more information on this equipment or if you require a free onsite inspection, contact our team

136 132

Specifications

Working height	7.80 m
Platform height	6.00 m
Platform capacity	159 kg
Platform size	0.71 x 0.66 m
Platform extended	0.66 x 1.25 m
Overall length	1.31 m
Extension platform retracted	1.35 m
Overall width	0.75 m
Extension platform	0.80 m
Drive speeds (platform lowered)	4 km/h
Drive speeds (platform elevated)	1 km/h
Gradeability	30 %
Overall weight (approx)	923 kg



136 132 **BOOM SHERRIN**

www.boomsherrin.com.au