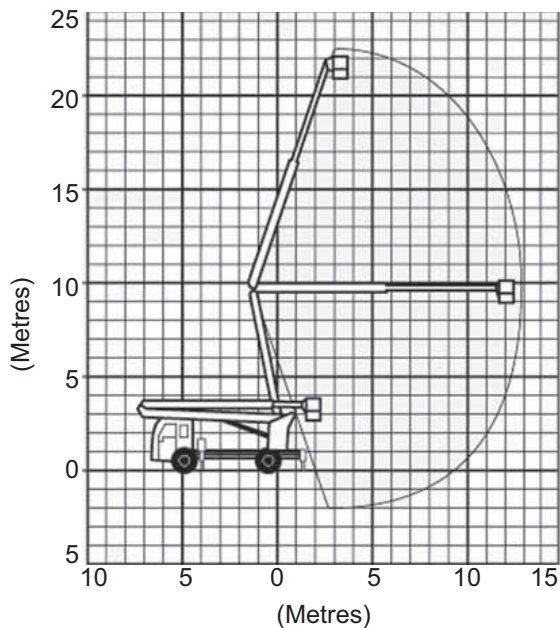


Range Chart



23m TRAVEL TOWER

For more information on this equipment or if you require a free onsite inspection, contact our team

136 132

Specifications

Max working height	23 m
Working radius at max height	4.50 m
Safe working load	250 kg
Max working radius	13 m
Stabiliser spread	4.30 m
Travelling height	3.70 m
Travelling width	2.50 m
Travelling length	9.50 m
Overall weight (approx)	13000 kg
Insulated units available	
Also available in Bogie Drive	