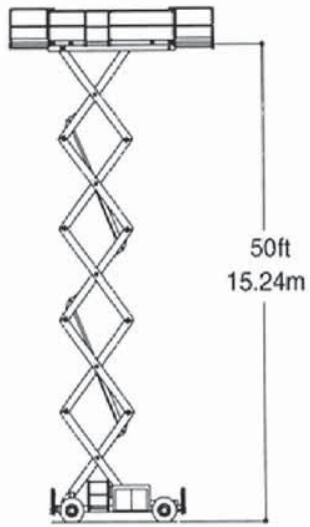


## Range Chart



# 50' SCISSOR LIFT DIESEL SRT

For more information on this equipment or if you require a free onsite inspection, contact our team

# 136 132

## Specifications

Working height	17.10 m
Platform height	15.24 m
Platform length	4.27 m
Platform width	1.80 m
Guardrail height	1.10 m
Stowed platform height	2.45 m
Weight capacity (without extensions)	1134 kg
Weight capacity (with extension)	907 kg
Overall width	2.29 m
Overall length	4.70 m
Wheelbase	3.10 m
Drive speed (4WD)	4.50 km/h
Turning radius (inside)	1.98 m
Turning radius (outside)	3.68 m
Gradeability 4 wheel	45 %
Overall weight (approx)	6940 kg