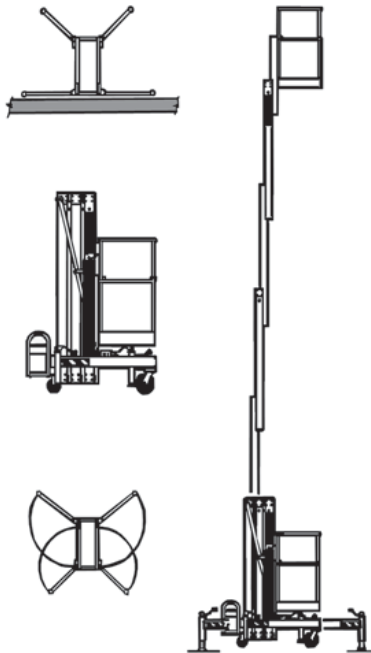


Range Chart



31' AW 1 MAN WORK PLATFORM

For more information on this equipment or if you require a free onsite inspection, contact our team

136 132

Specifications

Working height	9.50 m
Platform height	7.60 m
Platform safe working load	136.20 kg
Platform size	0.61 x 0.61 m
Platform construction	Steel
Lowered height	1.96 m
Overall width	0.75 m
Overall length	1.14 m
Lift speed	30 sec
Lower speed	35 sec
Stabilisation	Four built-in outriggers with crackdown screw jacks
Outrigger circle	3.10 m
Overall weight (approx)	273.80 kg