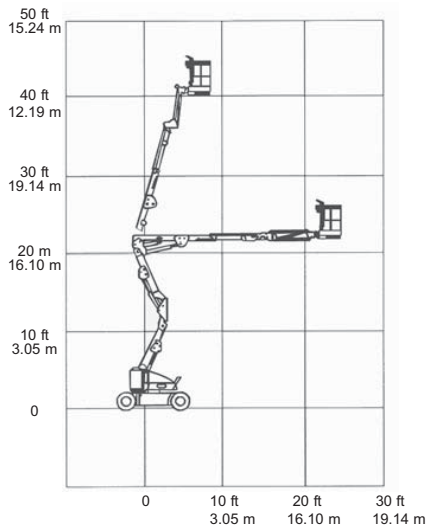


Range Chart



20' KNUCKLE BOOM ELEC WITH FLY BOOM

For more information on this equipment or if you require a free onsite inspection, contact our team

136 132

Specifications

| | |
|----------------------------|-----------|
| Working height | 7.90 m |
| Platform height | 6.10 m |
| Platform length | 1.02 m |
| Platform width | 0.79 m |
| Safe working load | 181 kg |
| Horizontal reach | 2.60 m |
| Wheelbase | 1.60 m |
| Jib rotation | 180 ° |
| Turntable tailswing | zero |
| Drive speeds (stowed high) | 4.20 km/h |
| Drive speeds (stowed low) | 2.10 km/h |
| Drive speeds (raised) | 0.97 km/h |
| Gradeability | 18 % |
| Turning radius (inside) | 2.54 m |
| Turning radius (outside) | 1.40 m |
| Stowed height | 2 m |
| Stowed length | 3.80 m |
| Width | 0.81 m |
| Overall weight (approx) | 4876 kg |