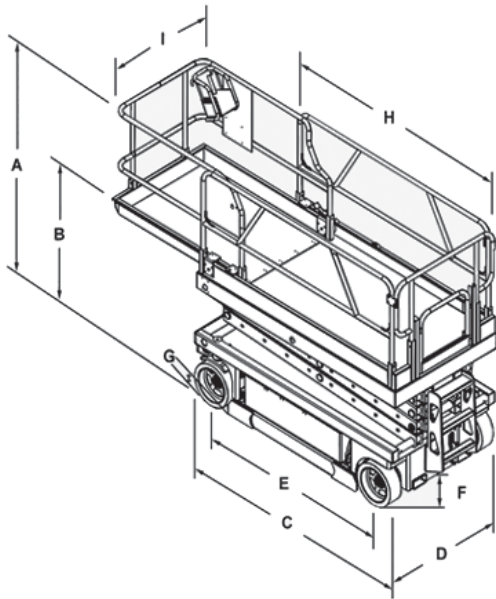


## Range Chart



# 32' GENIE SCISSOR LIFT ELEC

For more information on this equipment or if you require a free onsite inspection, contact our team

# 136 132

## Specifications

Working height	11.75 m
Platform height	9.75 m
(A) Height stowed	2.50 m
(B) Height stowed (platform)	1.30 m
(C) Unit length - stowed	2.26 m
(D) Unit width	1.17 m
(E) Wheelbase	1.85 m
(F) Ground clearance	0.10 m
(G) Platform width	1.15 m
(H) Platform length	3.18 m
Lift capacity	318 kg
Turning radius outside	2.29 m
Turning radius Inside	0.00 m
Gradeability	25 %
Overall weight (approx)	2812 kg